

SISTEMA **SCANALATO**

Prodotti in ghisa duttile seconda la norma ASTM A-536 grado 65-45-12, con giunti di tenuta (EPDM grado E secondo la ASTM D-2000) e corrispondenti elementi di serraggio (viti e dadi di acciaio zincati elettroliticamente). Sono disponibili zincati a caldo o verniciati di rosso.

Adatti per il trasporto di fluidi come acqua, aria esente da olio e una ampia gamma di prodotti chimici tra i -34 e i 110° C, sono certificati per installazioni antincendio secondo gli standard FM Approvals 1920, UL 213 e VdS 2100-06 / 2344

Le valvole sono certificate per utilizzi antincendio in accordo con gli standard FM e UL.



FM (Factory Mutual Research Corp.)



WRAS (Water Regulations Advisory Scheme Ltd.)

EPDM Rubber Approval



UL (Underwriter's Laboratories, Inc.)



VdS (Vertrauen durch Sicherheit)

The ATUSA logo consists of a white double-headed arrow symbol pointing left and right, followed by the word "ATUSA" in a bold, white, sans-serif font. The background of the entire page is a vibrant green-to-yellow gradient, with a red vertical bar on the right side.

ATUSA

SISTEMA
SCANALATO

A close-up photograph of a red ATUSA cable connector. The connector is made of a textured red plastic or rubber material. It features a black metal fitting with a circular cap that has "PB" engraved on it. The cable itself is black with a red outer sheath. The background is a bright green-to-yellow gradient.

SISTEMA
SCANALATO

RN GIUNTO RIGIDO


| Ø | Ø EXT. mm. | DN | | COD. ROSSO (RAL 3000) | € | COD. ZINCATI | € |
|------------|------------|-----|----|-----------------------|-------|--------------|-------|
| 1" | 33,7 | 25 | 32 | 6RN2G205 | 4,65 | 6RN2G505 | 5,50 |
| 1 1/4" | 42,4 | 32 | 27 | 6RN2G206 | 4,75 | 6RN2G506 | 5,70 |
| 1 1/2" | 48,3 | 40 | 24 | 6RN2G207 | 4,95 | 6RN2G507 | 5,90 |
| 2" | 60,3 | 50 | 16 | 6RN2G208 | 5,25 | 6RN2G508 | 6,35 |
| 2 1/2" | 76,1 | 65 | 12 | 6RN2G20B | 6,60 | 6RN2G50B | 7,95 |
| 3" | 88,9 | 80 | 20 | 6RN2G20A | 8,45 | 6RN2G50A | 10,15 |
| 4" | 114,3 | 100 | 10 | 6RN2G20C | 13,00 | 6RN2G50C | 15,45 |
| 5" | 139,7 | 125 | 8 | 6RN2G20H | 14,65 | 6RN2G50H | 17,25 |
| 6 1/2" O.D | 165,1 | 150 | 5 | 6RN2G20K | 18,45 | 6RN2G50K | 22,40 |
| 6" | 168,3 | 150 | 5 | 6RN2G20E | 18,35 | 6RN2G50E | 22,20 |
| 8" | 219,1 | 200 | 3 | 6RN2G20M | 33,30 | 6RN2G50M | 40,50 |
| 10" | 273,0 | 250 | 3 | 6RN2G20N | 68,65 | 6RN2G50N | 83,10 |
| 12" | 323,9 | 300 | 3 | 6RN2G20Q | 69,30 | 6RN2G50Q | 85,30 |


RS GIUNTO RIGIDO "S"


| Ø | Ø EXT. mm. | DN | | COD. ROSSO (RAL 3000) | € | COD. ZINCATI | € |
|------------|------------|-----|----|-----------------------|-------|--------------|-------|
| 2 1/2" | 76,1 | 65 | 27 | 6RS2G20B | 5,10 | 6RS2G50B | 6,25 |
| 3" | 88,9 | 80 | 20 | 6RS2G20A | 6,40 | 6RS2G50A | 7,75 |
| 4" | 114,3 | 100 | 11 | 6RS2G20C | 10,00 | 6RS2G50C | 12,05 |
| 5" | 139,7 | 125 | 8 | 6RS2G20H | 11,30 | 6RS2G50H | 13,85 |
| 6 1/2" O.D | 165,1 | 150 | 7 | 6RS2G20K | 14,15 | 6RS2G50K | 17,05 |
| 6" | 168,3 | 150 | 7 | 6RS2G20E | 14,00 | 6RS2G50E | 16,85 |
| 8" | 219,1 | 200 | 3 | 6RS2G20M | 26,60 | 6RS2G50M | 32,00 |
| 10" | 273,0 | 250 | 3 | 6RS2G20N | 64,90 | 6RS2G50N | 77,85 |


FN GIUNTO FLESSIBILE


| Ø | Ø EXT. mm. | DN | | COD. ROSSO (RAL 3000) | € | COD. ZINCATI | € |
|------------|------------|-----|----|-----------------------|-------|--------------|-------|
| 1" | 33,7 | 25 | 32 | 6FN2G205 | 4,25 | 6FN2G505 | 4,90 |
| 1 1/4" | 42,4 | 32 | 27 | 6FN2G206 | 4,40 | 6FN2G506 | 5,10 |
| 1 1/2" | 48,3 | 40 | 24 | 6FN2G207 | 4,70 | 6FN2G507 | 5,30 |
| 2" | 60,3 | 50 | 16 | 6FN2G208 | 4,80 | 6FN2G508 | 5,60 |
| 2 1/2" | 76,1 | 65 | 12 | 6FN2G20B | 6,20 | 6FN2G50B | 7,15 |
| 3" | 88,9 | 80 | 20 | 6FN2G20A | 7,60 | 6FN2G50A | 8,75 |
| 4" | 114,3 | 100 | 10 | 6FN2G20C | 11,75 | 6FN2G50C | 13,65 |
| 5" | 139,7 | 125 | 8 | 6FN2G20H | 15,00 | 6FN2G50H | 17,90 |
| 6 1/2" O.D | 165,1 | 150 | 5 | 6FN2G20K | 18,15 | 6FN2G50K | 21,30 |
| 6" | 168,3 | 150 | 5 | 6FN2G20E | 18,05 | 6FN2G50E | 21,15 |
| 8" | 219,1 | 200 | 3 | 6FN2G20M | 32,00 | 6FN2G50M | 36,25 |
| 10" | 273,0 | 250 | 3 | 6FN2G20N | 61,80 | 6FN2G50N | 70,00 |
| 12" | 323,9 | 300 | 3 | 6FN2G20Q | 67,15 | 6FN2G50Q | 77,30 |

FR**GIUNTO RIDOTTO**

| Ø | Ø EXT. mm. | DN |  | COD. ROSSO (RAL 3000) | € | COD. ZINCATI | € |
|-----------|------------|--------|---|-----------------------|-------|--------------|-------|
| 2"x1 1/2" | 60,3x48,3 | 50x40 | 16 | 6FR2G287 | 18,45 | 6FR2G587 | 22,15 |
| 2 1/2 x2" | 76,1x60,3 | 65x50 | 12 | 6FR2G2B8 | 22,15 | 6FR2G5B8 | 26,45 |
| 3"x2" | 88,9x60,3 | 80x50 | 16 | 6FR2G2A8 | 24,60 | 6FR2G5A8 | 29,45 |
| 3"x2 1/2" | 88,9x76,1 | 80x65 | 16 | 6FR2G2AB | 24,60 | 6FR2G5AB | 29,45 |
| 4"x2" | 114,3x60,3 | 100x50 | 8 | 6FR2G2C8 | 32,65 | 6FR2G5C8 | 39,40 |
| 4"x2 1/2" | 114,3x76,1 | 100x65 | 8 | 6FR2G2CB | 32,65 | 6FR2G5CB | 39,40 |
| 4"x3" | 114,3x88,9 | 100x80 | 8 | 6FR2G2CA | 32,65 | 6FR2G5CA | 39,40 |

DS1**DERIVAZIONE FILETTATA**

| Ø | Ø EXT. mm. | DN |  | COD. ROSSO (RAL 3000) | € | COD. ZINCATI | € |
|------------------|------------|--------|---|-----------------------|-------|--------------|-------|
| 1 1/4"x1" | 42,4x33,7 | 32x25 | 30 | 6DS2T265 | 6,15 | 6DS2T565 | 7,45 |
| 1 1/2"x1" | 48,3x33,7 | 40x25 | 30 | 6DS2T275 | 6,80 | 6DS2T575 | 8,20 |
| 2"x1/2" | 60,3x21,3 | 50x15 | 18 | 6DS2T283 | 10,00 | 6DS2T583 | 12,05 |
| 2"x3/4" | 60,3x26,9 | 50x20 | 18 | 6DS2T284 | 10,00 | 6DS2T584 | 12,05 |
| 2"x1" | 60,3x33,7 | 50x25 | 18 | 6DS2T285 | 10,00 | 6DS2T585 | 12,05 |
| 2"x1 1/4" | 60,3x42,4 | 50x32 | 12 | 6DS2T286 | 10,00 | 6DS2T586 | 12,05 |
| 2"x1 1/2" | 60,3x48,3 | 50x40 | 15 | 6DS2T287 | 10,00 | 6DS2T587 | 12,05 |
| 2 1/2"x1/2" | 76,1x21,3 | 65x15 | 10 | 6DS2T2B3 | 13,00 | 6DS2T5B3 | 15,20 |
| 2 1/2"x3/4" | 76,1x26,9 | 65x20 | 10 | 6DS2T2B4 | 13,00 | 6DS2T5B4 | 15,20 |
| 2 1/2"x1" | 76,1x33,7 | 65x25 | 10 | 6DS2T2B5 | 13,00 | 6DS2T5B5 | 15,20 |
| 2 1/2"x1 1/4" | 76,1x42,4 | 65x32 | 8 | 6DS2T2B6 | 13,00 | 6DS2T5B6 | 15,20 |
| 2 1/2"x1 1/2" | 76,1x48,3 | 65x40 | 8 | 6DS2T2B7 | 13,00 | 6DS2T5B7 | 15,20 |
| 3"x1/2" | 88,9x21,3 | 80x15 | 6 | 6DS2T2A3 | 13,40 | 6DS2T5A3 | 15,75 |
| 3"x3/4" | 88,9x26,9 | 80x20 | 6 | 6DS2T2A4 | 13,40 | 6DS2T5A4 | 15,75 |
| 3"x1" | 88,9x33,7 | 80x25 | 6 | 6DS2T2A5 | 13,40 | 6DS2T5A5 | 15,75 |
| 3"x1 1/4" | 88,9x42,4 | 80x32 | 8 | 6DS2T2A6 | 13,40 | 6DS2T5A6 | 15,75 |
| 3"x1 1/2" | 88,9x48,3 | 80x40 | 8 | 6DS2T2A7 | 13,40 | 6DS2T5A7 | 15,75 |
| 3"x2" | 88,9x60,3 | 80x50 | 5 | 6DS2T2A8 | 13,40 | 6DS2T5A8 | 15,75 |
| 4"x1/2" | 114,3x21,3 | 100x15 | 12 | 6DS2T2C3 | 17,05 | 6DS2T5C3 | 19,60 |
| 4"x3/4" | 114,3x26,9 | 100x20 | 12 | 6DS2T2C4 | 17,05 | 6DS2T5C4 | 19,60 |
| 4"x1" | 114,3x33,7 | 100X25 | 12 | 6DS2T2C5 | 17,05 | 6DS2T5C5 | 19,60 |
| 4"x1 1/4" | 114,3x42,4 | 100X32 | 10 | 6DS2T2C6 | 17,35 | 6DS2T5C6 | 19,90 |
| 4"x1 1/2" | 114,3x48,3 | 100X40 | 10 | 6DS2T2C7 | 17,35 | 6DS2T5C7 | 19,90 |
| 4"x2" | 114,3x60,3 | 100x50 | 10 | 6DS2T2C8 | 17,35 | 6DS2T5C8 | 19,90 |
| 4"x2 1/2" | 114,3x76,1 | 100x65 | 8 | 6DS2T2CB | 17,35 | 6DS2T5CB | 19,90 |
| 4"x3" | 114,3x88,9 | 100x80 | 6 | 6DS2T2CA | 17,35 | 6DS2T5CA | 19,90 |
| 5"x1" | 139,7x33,7 | 125x25 | 6 | 6DS2T2H5 | 20,90 | 6DS2T5H5 | 24,85 |
| 5"x2" | 139,7x60,3 | 125x50 | 4 | 6DS2T2H8 | 20,90 | 6DS2T5H8 | 24,85 |
| 6 1/2"O.Dx1 1/2" | 165,1x48,3 | 150x40 | 5 | 6DS2T2K7 | 24,70 | 6DS2T5K7 | 29,05 |
| 6 1/2"O.Dx2" | 165,1x60,3 | 150x50 | 5 | 6DS2T2K8 | 24,70 | 6DS2T5K8 | 29,05 |
| 6 1/2"O.Dx2 1/2" | 165,1x76,1 | 150x65 | 5 | 6DS2T2KB | 24,70 | 6DS2T5KB | 29,05 |
| 6"x1 1/4" | 168,3x42,4 | 150x32 | 5 | 6DS2T2E6 | 25,25 | 6DS2T5E6 | 28,95 |
| 6"x1 1/2" | 168,3x48,3 | 150x40 | 5 | 6DS2T2E7 | 25,25 | 6DS2T5E7 | 28,95 |
| 6"x2" | 168,3x60,3 | 150x50 | 5 | 6DS2T2E8 | 25,25 | 6DS2T5E8 | 28,95 |
| 6"x3" | 168,3x88,9 | 150x80 | 4 | 6DS2T2EA | 25,25 | 6DS2T5EA | 28,95 |
| 8"x2" | 219,1x60,3 | 200x50 | 3 | 6DS2T2M8 | 40,85 | 6DS2T5M8 | 48,40 |

DS2

DERIVAZIONE SCANALATA


| Ø | Ø EXT. mm. | DN | | COD. ROSSO (RAL 3000) | € | COD. ZINCATI | € |
|-------------------|-------------|---------|----|-----------------------|-------|--------------|-------|
| 2"x1 1/4" | 60,3x42,4 | 50x32 | 15 | 6DS2G286 | 10,20 | 6DS2G586 | 12,20 |
| 2"x1 1/2" | 60,3x48,3 | 50x40 | 15 | 6DS2G287 | 10,20 | 6DS2G587 | 12,20 |
| 2 1/2"x1" | 76,1x33,7 | 65x25 | 8 | 6DS2G2B5 | 13,15 | 6DS2G5B5 | 15,40 |
| 2 1/2"x1 1/4" | 76,1x42,4 | 65x32 | 8 | 6DS2G2B6 | 13,15 | 6DS2G5B6 | 15,40 |
| 2 1/2"x1 1/2" | 76,1x48,3 | 65x40 | 8 | 6DS2G2B7 | 13,15 | 6DS2G5B7 | 15,40 |
| 3"x1" | 88,9x33,7 | 80x25 | 8 | 6DS2G2A5 | 15,30 | 6DS2G5A5 | 18,65 |
| 3"x1 1/4" | 88,9x42,4 | 80x32 | 8 | 6DS2G2A6 | 15,30 | 6DS2G5A6 | 18,65 |
| 3"x1 1/2" | 88,9x48,3 | 80x40 | 8 | 6DS2G2A7 | 15,30 | 6DS2G5A7 | 18,65 |
| 3"x2" | 88,9x60,3 | 80x50 | 5 | 6DS2G2A8 | 15,30 | 6DS2G5A8 | 18,65 |
| 4"x1 1/4" | 114,3x42,4 | 100x32 | 12 | 6DS2G2C6 | 16,90 | 6DS2G5C6 | 20,15 |
| 4"x1 1/2" | 114,3x48,3 | 100x40 | 10 | 6DS2G2C7 | 16,90 | 6DS2G5C7 | 20,15 |
| 4"x2" | 114,3x60,3 | 100x50 | 10 | 6DS2G2C8 | 16,90 | 6DS2G5C8 | 20,15 |
| 4"x2 1/2" | 114,3x76,1 | 100x65 | 8 | 6DS2G2CB | 16,90 | 6DS2G5CB | 20,15 |
| 4"x3" | 114,3x88,9 | 100x80 | 8 | 6DS2G2CA | 16,90 | 6DS2G5CA | 20,15 |
| 5"x1 1/4" | 139,7x42,4 | 125x32 | 6 | 6DS2G2H6 | 21,20 | 6DS2G5H6 | 25,45 |
| 5"x2" | 139,7x60,3 | 125x50 | 4 | 6DS2G2H8 | 21,20 | 6DS2G5H8 | 25,45 |
| 5"x2 1/2" | 139,7x76,1 | 125x65 | 4 | 6DS2G2HB | 21,20 | 6DS2G5HB | 25,45 |
| 5"x3" | 139,7x88,9 | 125x80 | 4 | 6DS2G2HA | 21,20 | 6DS2G5HA | 25,45 |
| 6 1/2" O.Dx2" | 165,1x60,3 | 150x50 | 5 | 6DS2G2K8 | 28,65 | 6DS2G5K8 | 33,95 |
| 6 1/2" O.Dx2 1/2" | 165,1x76,1 | 150x65 | 5 | 6DS2G2KB | 28,65 | 6DS2G5KB | 33,95 |
| 6"x1 1/4" | 168,3x42,4 | 150x32 | 5 | 6DS2G2E6 | 27,55 | 6DS2G5E6 | 33,10 |
| 6"x1 1/2" | 168,3x48,3 | 150x40 | 5 | 6DS2G2E7 | 27,55 | 6DS2G5E7 | 33,10 |
| 6"x2" | 168,3x60,3 | 150x50 | 5 | 6DS2G2E8 | 27,55 | 6DS2G5E8 | 33,10 |
| 6"x2 1/2" | 168,3x76,1 | 150x65 | 4 | 6DS2G2EB | 27,55 | 6DS2G5EB | 33,10 |
| 6"x3" | 168,3x88,9 | 150x80 | 4 | 6DS2G2EA | 27,55 | 6DS2G5EA | 33,10 |
| 6"x4" | 168,3x114,3 | 150x100 | 4 | 6DS2G2EC | 27,55 | 6DS2G5EC | 33,10 |
| 8"x2" | 219,1x60,3 | 200x50 | 3 | 6DS2G2M8 | 45,60 | 6DS2G5M8 | 55,70 |
| 8"x2 1/2" | 219,1x76,1 | 200x65 | 3 | 6DS2G2MB | 45,60 | 6DS2G5MB | 55,70 |
| 8"x3" | 219,1x88,9 | 200x80 | 3 | 6DS2G2MA | 45,60 | 6DS2G5MA | 55,70 |
| 8"x4" | 219,1x114,3 | 200x100 | 3 | 6DS2G2MC | 45,60 | 6DS2G5MC | 55,70 |
| 10"x4" | 273,0x114,3 | 250x100 | 3 | 6DS2G2NC | 70,00 | 6DS2G5MC | 85,40 |

DA1

BRANCH OUTLET (U-bolted)


| Ø | Ø EXT. mm. | DN | | COD. ROSSO (RAL 3000) | € | COD. ZINCATI | € |
|---------------|------------|-------|----|-----------------------|------|--------------|------|
| 1 1/4"x1 1/2" | 42,4x21,3 | 32x15 | 32 | 6DA2T263 | 5,25 | 6DA2T563 | 6,20 |
| 1 1/4"x3/4" | 42,4x26,9 | 32x20 | 32 | 6DA2T264 | 5,25 | 6DA2T564 | 6,20 |
| 1 1/4"x1" | 42,4x33,7 | 32x25 | 32 | 6DA2T265 | 5,25 | 6DA2T565 | 6,20 |
| 1 1/2"x1 1/2" | 48,3x21,3 | 40x15 | 32 | 6DA2T273 | 5,60 | 6DA2T573 | 6,45 |
| 1 1/2"x3/4" | 48,3x26,9 | 40x20 | 32 | 6DA2T274 | 5,60 | 6DA2T574 | 6,45 |
| 1 1/2"x1" | 48,3x33,7 | 40x25 | 24 | 6DA2T275 | 5,60 | 6DA2T575 | 6,45 |
| 2"x1 1/2" | 60,3x21,3 | 50x15 | 30 | 6DA2T283 | 5,70 | 6DA2T583 | 6,55 |
| 2"x3/4" | 60,3x26,9 | 50x20 | 30 | 6DA2T284 | 5,70 | 6DA2T584 | 6,55 |
| 2"x1" | 60,3x33,7 | 50x25 | 20 | 6DA2T285 | 5,70 | 6DA2T585 | 6,55 |
| 2 1/2"x1 1/2" | 76,1x21,3 | 65x15 | 20 | 6DA2T2B3 | 7,50 | 6DA2T5B3 | 8,90 |
| 2 1/2"x3/4" | 76,1x26,9 | 65x20 | 20 | 6DA2T2B4 | 7,50 | 6DA2T5B4 | 8,90 |
| 2 1/2"x1" | 76,1x33,7 | 65x25 | 20 | 6DA2T2B5 | 7,50 | 6DA2T5B5 | 8,90 |

Per gli articoli contrassegnati con chiedere conferma sui tempi di consegna.

90

GOMITO A 90°



| Ø | Ø EXT. mm. | DN | | COD. ROSSO (RAL 3000) | € | COD. ZINCATI | € |
|------------|------------|-----|----|-----------------------|--------|--------------|--------|
| 1" | 33,7 | 25 | 40 | 60900205 | 2,65 | 60900505 | 3,25 |
| 1 1/4" | 42,4 | 32 | 32 | 60900206 | 3,30 | 60900506 | 3,95 |
| 1 1/2" | 48,3 | 40 | 24 | 60900207 | 3,85 | 60900507 | 4,60 |
| 2" | 60,3 | 50 | 14 | 60900208 | 6,30 | 60900508 | 7,45 |
| 2 1/2" | 76,1 | 65 | 6 | 6090020B | 8,20 | 6090050B | 9,60 |
| 3" | 88,9 | 80 | 4 | 6090020A | 9,70 | 6090050A | 11,55 |
| 4" | 114,3 | 100 | 4 | 6090020C | 15,05 | 6090050C | 17,80 |
| 5" | 139,7 | 125 | 2 | 6090020H | 22,30 | 6090050H | 26,65 |
| 6 1/2" O.D | 165,1 | 150 | 1 | 6090020K | 31,55 | 6090050K | 37,30 |
| 6" | 168,3 | 150 | 1 | 6090020E | 31,35 | 6090050E | 37,10 |
| 8" | 219,1 | 200 | 1 | 6090020M | 63,95 | 6090050M | 75,70 |
| 10" | 273,0 | 250 | 1 | 6090020N | 111,90 | 6090050N | 132,20 |
| 12" | 323,9 | 300 | 1 | 6090020Q | 154,50 | 6090050Q | 183,30 |

90S

GOMITO A 90° "S"



| Ø | Ø EXT. mm. | DN | | COD. ROSSO (RAL 3000) | € | COD. ZINCATI | € |
|------------|------------|-----|----|-----------------------|-------|--------------|-------|
| 2" | 60,3 | 50 | 30 | 6090S208 | 4,90 | 6090S508 | 5,65 |
| 2 1/2" | 76,1 | 65 | 14 | 6090S20B | 6,30 | 6090S50B | 7,45 |
| 3" | 88,9 | 80 | 10 | 6090S20A | 7,80 | 6090S50A | 8,95 |
| 4" | 114,3 | 100 | 10 | 6090S20C | 12,05 | 6090S50C | 14,05 |
| 5" | 139,7 | 125 | 6 | 6090S20H | 17,90 | 6090S50H | 20,90 |
| 6 1/2" O.D | 165,1 | 150 | 4 | 6090S20K | 24,50 | 6090S50K | 28,90 |
| 6" | 168,3 | 150 | 4 | 6090S20E | 24,30 | 6090S50E | 28,80 |
| 8" | 219,1 | 200 | 1 | 6090S20M | 50,10 | 6090S50M | 57,60 |

120

GOMITO A 45°



| Ø | Ø EXT. mm. | DN | | COD. ROSSO (RAL 3000) | € | COD. ZINCATI | € |
|------------|------------|-----|----|-----------------------|--------|--------------|--------|
| 1" | 33,7 | 25 | 40 | 61200205 | 2,90 | 61200505 | 3,50 |
| 1 1/4" | 42,4 | 32 | 36 | 61200206 | 3,20 | 61200506 | 3,75 |
| 1 1/2" | 48,3 | 40 | 36 | 61200207 | 3,55 | 61200507 | 4,30 |
| 2" | 60,3 | 50 | 18 | 61200208 | 4,60 | 61200508 | 5,30 |
| 2 1/2" | 76,1 | 65 | 10 | 6120020B | 6,10 | 6120050B | 7,15 |
| 3" | 88,9 | 80 | 6 | 6120020A | 7,30 | 6120050A | 8,65 |
| 4" | 114,3 | 100 | 6 | 6120020C | 11,20 | 6120050C | 13,15 |
| 5" | 139,7 | 125 | 3 | 6120020H | 18,45 | 6120050H | 21,30 |
| 6 1/2" O.D | 165,1 | 150 | 2 | 6120020K | 22,90 | 6120050K | 26,65 |
| 6" | 168,3 | 150 | 2 | 6120020E | 22,80 | 6120050E | 26,40 |
| 8" | 219,1 | 200 | 1 | 6120020M | 50,10 | 6120050M | 57,60 |
| 10" | 273,0 | 250 | 1 | 6120020N | 103,40 | 6120050N | 119,65 |
| 12" | 323,9 | 300 | 1 | 6120020Q | 174,85 | 6120050Q | 206,20 |

130 TEE



| Ø | Ø EXT. mm. | DN | | COD. ROSSO (RAL 3000) | € | COD. ZINCATI | € |
|------------|------------|-----|----|-----------------------|--------|--------------|--------|
| 1" | 33,7 | 25 | 42 | 61300205 | 4,00 | 61300505 | 4,80 |
| 1 1/4" | 42,4 | 32 | 22 | 61300206 | 4,65 | 61300506 | 5,45 |
| 1 1/2" | 48,3 | 40 | 18 | 61300207 | 5,85 | 61300507 | 7,05 |
| 2" | 60,3 | 50 | 8 | 61300208 | 9,15 | 61300508 | 10,95 |
| 2 1/2" | 76,1 | 65 | 7 | 6130020B | 12,15 | 6130050B | 14,35 |
| 3" | 88,9 | 80 | 5 | 6130020A | 14,75 | 6130050A | 17,60 |
| 4" | 114,3 | 100 | 3 | 6130020C | 22,80 | 6130050C | 27,30 |
| 5" | 139,7 | 125 | 1 | 6130020H | 36,85 | 6130050H | 44,25 |
| 6 1/2" O.D | 165,1 | 150 | 1 | 6130020K | 53,00 | 6130050K | 63,45 |
| 6" | 168,3 | 150 | 2 | 6130020E | 52,75 | 6130050E | 63,25 |
| 8" | 219,1 | 200 | 1 | 6130020M | 95,75 | 6130050M | 113,00 |
| 10" | 273,0 | 250 | 1 | 6130020N | 186,60 | 6130050N | 223,80 |
| 12" | 323,9 | 300 | 1 | 6130020Q | 255,85 | 6130050Q | 303,80 |

240 RIDUZIONE CONCENTRICA



| Ø | Ø EXT. mm. | DN | | COD. ROSSO (RAL 3000) | € | COD. ZINCATI | € |
|-------------------|-------------|---------|----|-----------------------|--------|--------------|--------|
| 1 1/4"x1" | 42,4x33,7 | 32x25 | 60 | 62400265 | 5,10 | 62400565 | 6,95 |
| 1 1/2"x1" | 48,3x33,7 | 40x25 | 50 | 62400275 | 5,65 | 62400575 | 7,40 |
| 1 1/2"x1 1/4" | 48,3x42,4 | 40x32 | 50 | 62400276 | 5,65 | 62400576 | 7,40 |
| 2"x1" | 60,3x33,7 | 50x25 | 36 | 62400285 | 6,30 | 62400585 | 8,05 |
| 2"x1 1/4" | 60,3x42,4 | 50x32 | 36 | 62400286 | 6,30 | 62400586 | 8,05 |
| 2"x1 1/2" | 60,3x48,3 | 50x40 | 36 | 62400287 | 6,30 | 62400587 | 8,05 |
| 2 1/2"x1" | 76,1x33,7 | 65x25 | 18 | 624002B5 | 8,30 | 624005B5 | 10,55 |
| 2 1/2"x1 1/4" | 76,1x42,4 | 65x32 | 18 | 624002B6 | 8,30 | 624005B6 | 10,55 |
| 2 1/2"x1 1/2" | 76,1x48,3 | 65x40 | 18 | 624002B7 | 8,30 | 624005B7 | 10,55 |
| 2 1/2"x2" | 76,1x60,3 | 65x50 | 18 | 624002B8 | 8,30 | 624005B8 | 10,55 |
| 3"x1" | 88,9x33,7 | 80x25 | 21 | 624002A5 | 9,30 | 624005A5 | 11,40 |
| 3"x1 1/4" | 88,9x42,4 | 80x32 | 21 | 624002A6 | 9,30 | 624005A6 | 11,40 |
| 3"x1 1/2" | 88,9x48,3 | 80x40 | 21 | 624002A7 | 9,30 | 624005A7 | 11,40 |
| 3"x2" | 88,9x60,3 | 80x50 | 21 | 624002A8 | 9,30 | 624005A8 | 11,40 |
| 3"x 2 1/2" | 88,9x76,1 | 80x65 | 18 | 624002AB | 9,30 | 624005AB | 11,40 |
| 4"x1 1/4" | 114,3x42,4 | 100x32 | 24 | 624002C6 | 11,70 | 624005C6 | 14,20 |
| 4"x1 1/2" | 114,3x48,3 | 100x40 | 24 | 624002C7 | 11,70 | 624005C7 | 14,20 |
| 4"x2" | 114,3x60,3 | 100x50 | 24 | 624002C8 | 11,70 | 624005C8 | 14,20 |
| 4"x 2 1/2" | 114,3x76,1 | 100x65 | 24 | 624002CB | 11,70 | 624005CB | 14,20 |
| 4"x3" | 114,3x88,9 | 100x80 | 18 | 624002CA | 11,70 | 624005CA | 14,20 |
| 5"x4" | 139,7x114,3 | 125x100 | 4 | 624002HC | 17,60 | 624005HC | 21,00 |
| 6 1/2" O.Dx2 1/2" | 165,1x76,1 | 150x65 | 7 | 624002KB | 22,55 | 624005KB | 26,85 |
| 6 1/2" O.D x3" | 165,1x88,9 | 150x80 | 7 | 624002KA | 22,55 | 624005KA | 26,85 |
| 6 1/2" O.D x4" | 165,1x114,3 | 150x100 | 7 | 624002KC | 22,55 | 624005KC | 26,85 |
| 6 1/2" O.Dx5" | 165,1x139,7 | 150x125 | 4 | 624002KH | 22,55 | 624005KH | 26,85 |
| 6"x2" | 168,3x60,3 | 150x50 | 7 | 624002E8 | 22,55 | 624005E8 | 26,85 |
| 6"x2 1/2" | 168,3x76,1 | 150x65 | 7 | 624002EB | 22,55 | 624005EB | 26,85 |
| 6"x3" | 168,3x88,9 | 150x80 | 7 | 624002EA | 22,55 | 624005EA | 26,85 |
| 6"x4" | 168,3x114,3 | 150x100 | 7 | 624002EC | 22,55 | 624005EC | 26,85 |
| 6"x5" | 168,3x139,7 | 150x125 | 4 | 624002EH | 22,55 | 624005EH | 26,85 |
| 8"x3" | 219,1x88,9 | 200x80 | 4 | 624002MA | 34,05 | 624005MA | 40,70 |
| 8"x4" | 219,1x114,3 | 200x100 | 4 | 624002MC | 34,05 | 624005MC | 40,70 |
| 8"x5" | 219,1x139,7 | 200x125 | 3 | 624002MH | 34,05 | 624005MH | 40,70 |
| 8"x6 1/2" O.D | 219,1x165,1 | 200x150 | 3 | 624002MK | 34,05 | 624005MK | 40,70 |
| 8"x6" | 219,1x168,3 | 200x150 | 4 | 624002ME | 34,05 | 624005ME | 40,70 |
| 10"x6" | 273,0x168,3 | 250x150 | 1 | 624002NE | 65,10 | 624005NE | 78,55 |
| 10"x8" | 273,0x219,1 | 250x200 | 1 | 624002NM | 65,10 | 624005NM | 78,55 |
| 12"x8" | 323,9x219,1 | 300x200 | 1 | 624002QM | 135,55 | 624005QM | 195,00 |
| 12"x10" | 323,9x273,0 | 300x250 | 1 | 624002QM | 140,00 | 624005QN | 200,00 |

130S TEE "S"



| Ø | Ø EXT. mm. | DN | | COD. ROSSO (RAL 3000) | € | COD. ZINCATI | € |
|------------|------------|-----|----|-----------------------|-------|--------------|-------|
| 2" | 60,3 | 50 | 18 | 6130S208 | 7,15 | 6130S508 | 8,45 |
| 2 1/2" | 76,1 | 65 | 10 | 6130S20B | 9,50 | 6130S50B | 11,20 |
| 3" | 88,9 | 80 | 6 | 6130S20A | 11,75 | 6130S50A | 13,85 |
| 4" | 114,3 | 100 | 6 | 6130S20C | 18,05 | 6130S50C | 21,30 |
| 5" | 139,7 | 125 | 4 | 6130S20H | 29,30 | 6130S50H | 35,15 |
| 6 1/2" O.D | 165,1 | 150 | 2 | 6130S20K | 41,55 | 6130S50K | 49,25 |
| 6" | 168,3 | 150 | 2 | 6130S20E | 41,35 | 6130S50E | 49,05 |
| 8" | 219,1 | 200 | 1 | 6130S20M | 74,60 | 6130S50M | 88,05 |

130R TEE RIDOTTO



| Ø | Ø EXT. mm. | DN | | COD. ROSSO (RAL 3000) | € | COD. ZINCATI | € |
|-------------------|-------------|---------|---|-----------------------|--------|--------------|--------|
| 2"x1" | 60,3x33,7 | 50x25 | 8 | 61300285 | 13,20 | 61300585 | 15,60 |
| 2"x1 1/2" | 60,3x48,3 | 50x40 | 8 | 61300287 | 13,20 | 61300587 | 15,60 |
| 2 1/2"x1 1/4" | 76,1x42,4 | 65x32 | 7 | 613002B6 | 16,65 | 613005B6 | 19,75 |
| 2 1/2"x1 1/2" | 76,1x48,3 | 65x40 | 7 | 613002B7 | 16,65 | 613005B7 | 19,75 |
| 2 1/2"x2" | 76,1x60,3 | 65x50 | 7 | 613002B8 | 16,65 | 613005B8 | 19,75 |
| 3"x1" | 88,9x33,7 | 80x25 | 5 | 613002A5 | 20,05 | 613005A5 | 24,25 |
| 3"x1 1/4" | 88,9x42,4 | 80x32 | 5 | 613002A6 | 20,05 | 613005A6 | 24,25 |
| 3"x1 1/2" | 88,9x48,3 | 80x40 | 5 | 613002A7 | 20,05 | 613005A7 | 24,25 |
| 3"x2" | 88,9x60,3 | 80x50 | 5 | 613002A8 | 20,05 | 613005A8 | 24,25 |
| 3"x2 1/2" | 88,9x76,1 | 80x65 | 5 | 613002AB | 20,05 | 613005AB | 24,25 |
| 4"x1 1/2" | 114,3x48,3 | 100x40 | 3 | 613002C7 | 34,20 | 613005C7 | 40,75 |
| 4"x2" | 114,3x60,3 | 100x50 | 3 | 613002C8 | 34,20 | 613005C8 | 40,75 |
| 4"x2 1/2" | 114,3x76,1 | 100x65 | 3 | 613002CB | 34,20 | 613005CB | 40,75 |
| 4"x3" | 114,3x88,9 | 100x80 | 2 | 613002CA | 34,20 | 613005CA | 40,75 |
| 5"x4" | 139,7x114,3 | 125x100 | 1 | 613002HC | 45,60 | 613005HC | 54,35 |
| 6 1/2" O.D x2" | 165,1x60,3 | 150x50 | 1 | 613002K8 | 66,70 | 613005K8 | 79,40 |
| 6 1/2" O.Dx2 1/2" | 165,1x76,1 | 150x65 | 1 | 613002KB | 66,70 | 613005KB | 79,40 |
| 6 1/2" O.Dx3" | 165,1x88,9 | 150x80 | 1 | 613002KA | 66,70 | 613005KA | 79,40 |
| 6 1/2" O.D x4" | 165,1x114,3 | 150x100 | 1 | 613002KC | 66,70 | 613005KC | 79,40 |
| 6 1/2" O.Dx5" | 165,1x139,7 | 150x125 | 1 | 613002KH | 66,70 | 613005KH | 79,40 |
| 6"x2" | 168,3x60,3 | 150x50 | 1 | 613002E8 | 66,70 | 613005E8 | 79,40 |
| 6"x2 1/2" | 168,1x76,1 | 150x65 | 1 | 613002EB | 66,70 | 613005EB | 79,40 |
| 6"x3" | 168,3x88,9 | 150x80 | 1 | 613002EA | 66,70 | 613005EA | 79,40 |
| 6"x4" | 168,3x114,3 | 150x100 | 1 | 613002EC | 66,70 | 613005EC | 79,40 |
| 6"x5" | 168,3x139,7 | 150x125 | 1 | 613002EH | 66,70 | 613005EH | 79,40 |
| 8"x3" | 219,1x88,9 | 200x80 | 1 | 613002MA | 135,15 | 613005MA | 160,45 |
| 8"x4" | 219,1x114,3 | 200x100 | 1 | 613002MC | 135,15 | 613005MC | 160,45 |
| 8"x5" | 219,1x139,7 | 200x125 | 1 | 613002MH | 135,15 | 613005MH | 160,45 |
| 10"x6" | 273,0x168,3 | 250x150 | 1 | 613002NE | 258,60 | 613005NE | 311,40 |

180 CROCE



| Ø | Ø EXT. mm. | DN | | COD. ROSSO (RAL 3000) | € | COD. ZINCATI | € |
|--------|------------|-----|---|-----------------------|-------|--------------|-------|
| 1 1/2" | 48,3 | 40 | 8 | 61800207 | 12,85 | 61800507 | 14,50 |
| 2" | 60,3 | 50 | 4 | 61800208 | 18,55 | 61800508 | 20,95 |
| 2 1/2" | 76,1 | 65 | 2 | 6180020B | 23,30 | 6180050B | 26,35 |
| 3" | 88,9 | 80 | 2 | 6180020A | 30,60 | 6180050A | 34,60 |
| 4" | 114,3 | 100 | 1 | 6180020C | 48,85 | 6180050C | 55,70 |

Per gli articoli contrassegnati con chiedere conferma sui tempi di consegna.

300 CALOTTA



| Ø | Ø EXT. mm. | DN | | COD. ROSSO (RAL 3000) | € | COD. ZINCATI | € |
|------------|------------|-----|-----|-----------------------|-------|--------------|-------|
| 1" | 33,7 | 25 | 165 | 63000205 | 1,70 | 63000505 | 1,95 |
| 1 1/4" | 42,4 | 32 | 160 | 63000206 | 1,80 | 63000506 | 2,10 |
| 1 1/2" | 48,3 | 40 | 160 | 63000207 | 1,90 | 63000507 | 2,30 |
| 2" | 60,3 | 50 | 96 | 63000208 | 3,00 | 63000508 | 3,50 |
| 2 1/2" | 76,1 | 65 | 52 | 6300020B | 4,00 | 6300050B | 4,65 |
| 3" | 88,9 | 80 | 36 | 6300020A | 4,55 | 6300050A | 5,40 |
| 4" | 114,3 | 100 | 20 | 6300020C | 7,25 | 6300050C | 8,50 |
| 5" | 139,7 | 125 | 12 | 6300020H | 9,85 | 6300050H | 11,80 |
| 6 1/2" O.D | 165,1 | 150 | 10 | 6300020K | 14,70 | 6300050K | 17,50 |
| 6" | 168,3 | 150 | 10 | 6300020E | 14,50 | 6300050E | 17,30 |
| 8" | 219,1 | 200 | 1 | 6300020M | 22,85 | 6300050M | 27,20 |
| 10" | 273,0 | 250 | 1 | 6300020N | 46,90 | 6300050N | 55,25 |
| 12" | 323,9 | 300 | 1 | 6300020Q | 79,70 | 6300050Q | 94,20 |

315 CALOTTA FILETTATA (2") CONCENTRICA



| Ø | Ø EXT. mm. | DN | | COD. ROSSO (RAL 3000) | € | COD. ZINCATI | € |
|----------------|------------|--------|----|-----------------------|-------|--------------|-------|
| 2 1/2"x2" | 76,1x60,3 | 65x50 | 52 | 631502B8 | 5,30 | 631505B8 | 6,10 |
| 3"x2" | 88,9x60,3 | 80x50 | 36 | 631502A8 | 6,20 | 631505A8 | 7,15 |
| 4"x2" | 114,3x60,3 | 100x50 | 20 | 631502C8 | 9,55 | 631505C8 | 11,45 |
| 5"x2" | 139,7x60,3 | 125x50 | 12 | 631502H8 | 14,40 | 631505H8 | 16,70 |
| 6 1/2" O.D x2" | 165,1x60,3 | 150x50 | 10 | 631502K8 | 21,45 | 631505K8 | 22,60 |
| 6" x 2" | 168,3x60,3 | 150x50 | 10 | 631502E8 | 20,95 | 631505E8 | 22,15 |

316 CALOTTA FILETTATA (2") ECCENTRICA



| Ø | Ø EXT. mm. | DN | | COD. ROSSO (RAL 3000) | € | COD. ZINCATI | € |
|-------|------------|--------|----|-----------------------|-------|--------------|-------|
| 3"x2" | 88,9x60,3 | 80x50 | 36 | 631602A8 | 6,50 | 631605A8 | 7,45 |
| 4"x2" | 114,3x60,3 | 100x50 | 20 | 631602C8 | 10,35 | 631605C8 | 11,80 |
| 5"x2" | 139,7x60,3 | 125x50 | 12 | 631602H8 | 15,30 | 631605H8 | 16,05 |
| 6"x2" | 168,3x60,3 | 150x50 | 10 | 631602E8 | 19,45 | 631605E8 | 23,00 |
| 8"x2" | 219,1x60,3 | 200x50 | 3 | 631602M8 | 29,00 | 631605M8 | 33,00 |

321 FLANGIA ADATTATRICE




| Ø | Ø EXT. mm. | DN | | COD. ROSSO (RAL 3000) | € | COD. ZINCATI | € |
|------------|------------|-----|----|-----------------------|--------|--------------|--------|
| 1" | 33,7 | 25 | 12 | 63210205 | 14,90 | 63210505 | 17,80 |
| 1 1/4" | 42,4 | 32 | 10 | 63210206 | 15,95 | 63210506 | 19,05 |
| 1 1/2" | 48,3 | 40 | 8 | 63210207 | 16,55 | 63210507 | 19,55 |
| 2" | 60,3 | 50 | 4 | 63210208 | 17,60 | 63210508 | 20,80 |
| 2 1/2" | 76,1 | 65 | 4 | 6321020B | 20,00 | 6321050B | 23,60 |
| 3" | 88,9 | 80 | 5 | 6321020A | 21,75 | 6321050A | 25,70 |
| 4" | 114,3 | 100 | 4 | 6321020C | 27,55 | 6321050C | 32,60 |
| 5" | 139,7 | 125 | 2 | 6321020H | 37,05 | 6321050H | 43,95 |
| 6 1/2" O.D | 165,1 | 150 | 4 | 6321020K | 44,20 | 6321050K | 51,85 |
| 6" | 168,3 | 150 | 4 | 6321020E | 44,00 | 6321050E | 51,65 |
| 8" | 219,1 | 200 | 1 | 6321020M | 67,70 | 6321050M | 79,90 |
| 10" | 273,0 | 250 | 1 | 6321020N | 109,70 | 6321050N | 130,00 |
| 12" | 323,9 | 300 | 1 | 6321020Q | 232,85 | 6321050Q | 276,05 |
| 8" PN10 | 219,1 | 200 | 1 | 6321120M | 65,00 | 6321150M | 75,00 |
| 10" PN10 | 273,0 | 250 | 1 | 6321120N | 105,00 | 6321150N | 120,00 |
| 12" PN10 | 323,9 | 300 | 1 | 6321120Q | 228,00 | 6321150Q | 258,00 |

NEW

322 ADATTATORE A FLANGIA

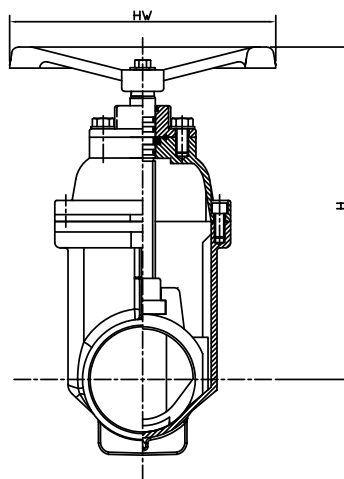
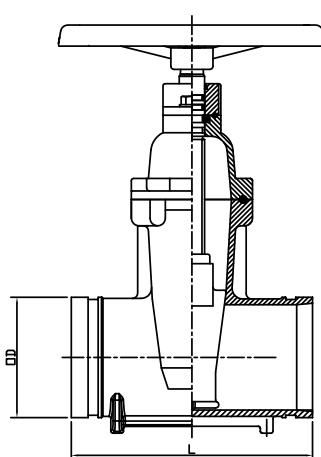


| Ø | Ø EXT. mm. | DN |  | COD. ROSSO (RAL 3000) | € | COD. ZINCATI | € |
|------------|------------|-----|---|-----------------------|--------|--------------|--------|
| 1 1/2" | 48,3 | 40 | 16 | 63220207 | 14,00 | 63220507 | 16,10 |
| 2" | 60,3 | 50 | 14 | 63220208 | 17,00 | 63220508 | 19,55 |
| 2 1/2" | 76,1 | 65 | 12 | 6322020B | 18,25 | 6322050B | 21,00 |
| 3" | 88,9 | 80 | 12 | 6322020A | 20,85 | 6322050A | 24,00 |
| 4" | 114,3 | 100 | 10 | 6322020C | 26,50 | 6322050C | 30,50 |
| 5" | 139,7 | 125 | 7 | 6322020H | 35,70 | 6322050H | 41,05 |
| 6 1/2" O.D | 165,1 | 150 | 7 | 6322020K | 41,00 | 6322050K | 47,15 |
| 6" | 168,3 | 150 | 7 | 6322020E | 44,50 | 6322050E | 51,20 |
| 8" | 219,1 | 200 | 2 | 6322020M | 78,00 | 6322050M | 89,70 |
| 10" | 273,0 | 250 | 2 | 6322020N | 130,00 | 6322050N | 149,50 |
| 12" | 323,9 | 300 | 2 | 6322020Q | 220,00 | 6322050Q | 253,00 |

600 SARACINESCA A CUNEO GOMMATO SCANALATA (NRS)



| TUBO ACCIAIO | | | DIMENSIONI | | | PESO Kg. | COD. | € |
|--------------|---------|-----|------------|-------|----------|----------|----------|--------|
| Ø | Ø D mm. | DN | L mm. | H mm. | Ø HW mm. | | | |
| 2" | 60,3 | 50 | 178 | 218 | 180 | 5,3 | 6V600208 | 132,70 |
| 2 1/2" | 76,1 | 65 | 190 | 230 | 180 | 6,5 | 6V60020B | 158,30 |
| 3" | 88,9 | 80 | 203 | 281 | 200 | 10,0 | 6V60020A | 231,80 |
| 4" | 114,3 | 100 | 229 | 316 | 254 | 13,7 | 6V60020C | 312,80 |
| 5" | 139,7 | 125 | 254 | 393 | 280 | 28,5 | 6V60020H | 687,60 |
| 6" | 168,3 | 150 | 267 | 420 | 305 | 29,5 | 6V60020E | 714,20 |
| 8" | 219,1 | 200 | 292 | 490 | 350 | 50,0 | 6V60020M | 979,10 |



CARATTERISTICHE TECNICHE

Norma BS 5163.
Scanalatura s/ ISO 6182.
Pressione di lavoro: PN16 / 230 PSI / 1.6 MPa.
Temperatura di lavoro: 0 - 80° C.
Applicazioni: adduzione acqua, irrigazione, antincendio.
Approvato da UL/FM.

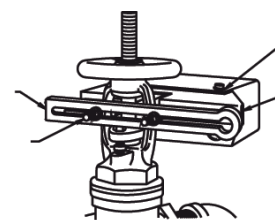
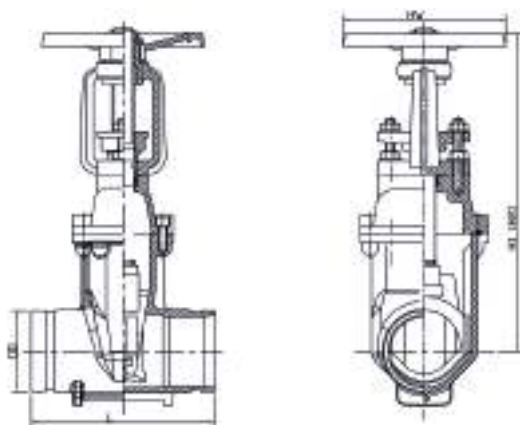
COMPONENTI

Corpo e Cuffia: ghisa duttile EN-GJS-450-10
Cuneo: ghisa duttile EN-GJS-450-10
Rivestimento cuneo: EPDM
Asse: acciaio inox UNS S42000 (SS420)
O-Ring: NBR
Volantino: ghisa duttile EN-GJS-450-10
Ghiandola: ghisa duttile EN-GJS-450-10

610 SARACINESCA A CUNEO GOMMATO SCANALATA (RS, MANDRINO ESTERNO)



| TUBO ACCIAIO | | | DIMENSIONI | | | | PESO Kg. | COD. | € |
|--------------|---------|-----|------------|---------------|---------------|----------|----------|----------|--------|
| Ø | Ø D mm. | DN | L mm. | H1 CHIUSO mm. | H2 APERTO mm. | Ø HW mm. | | | |
| 2" | 60,3 | 50 | 178 | 323 | 373 | 180 | 6,5 | 6V610208 | 170,50 |
| 2 1/2" | 76,1 | 65 | 190 | 343 | 408 | 180 | 7,8 | 6V61020B | 202,50 |
| 3" | 88,9 | 80 | 203 | 370 | 450 | 200 | 12,2 | 6V61020A | 226,50 |
| 4" | 114,3 | 100 | 229 | 442 | 542 | 254 | 15,8 | 6V61020C | 303,80 |
| 5" | 139,7 | 125 | 254 | 540 | 665 | 280 | 30,0 | 6V61020H | 577,70 |
| 6" | 168,3 | 150 | 267 | 608 | 758 | 305 | 35,2 | 6V61020E | 600,10 |
| 8" | 219,1 | 200 | 292 | 720 | 920 | 350 | 50,0 | 6V61020M | 826,10 |



* Possibilità di includere un dispositivo elettronico per il controllo dell'apertura.

CARATTERISTICHE TECNICHE

Norma BS 5163.
 Scanalatura s/ ISO 6182.
 Pressione di lavoro: PN16 / 230 PSI / 1.6 MPa.
 Temperatura di lavoro: 0 - 80° C.
 Applicazioni: adduzione acqua, irrigazione, antincendio.
 Approvato da UL/FM.

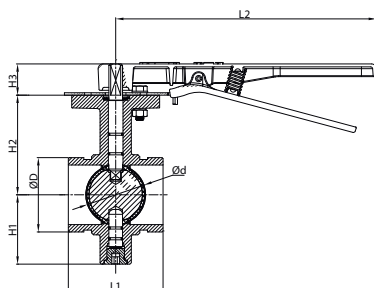
COMPONENTI

Corpo, cuffie e bilanciere: ghisa duttile EN-GJS-450-10
Cuneo: ghisa duttile EN-GJS-450-10
Rivestimento cuneo: EPDM
Asse*: acciaio inox UNS S42000 (SS420)
O-Ring: NBR
Volantino: ghisa duttile EN-GJS-450-10
Ghiandola: ghisa duttile EN-GJS-450-10

620 VALVOLA A FARFALLA SCANALATA (A LEVA)



| TUBO ACCIAIO | | | DIMENSIONI | | | | | | PESO Kg. | COD. | € |
|--------------|---------|-----|------------|--------|--------|--------|--------|--------|----------|----------|--------|
| Ø | Ø D mm. | DN | Ø d mm. | H1 mm. | H2 mm. | H3 mm. | L1 mm. | L2 mm. | | | |
| 2" | 60,3 | 50 | 50,3 | 65 | 89 | 32 | 81 | 267 | 2,7 | 6V620208 | 61,30 |
| 2 1/2" | 76,1 | 65 | 60,8 | 71 | 102 | 32 | 97 | 267 | 3,5 | 6V62020B | 79,40 |
| 3" | 88,9 | 80 | 76,0 | 81 | 109 | 32 | 97 | 267 | 4,0 | 6V62020A | 85,80 |
| 4" | 114,3 | 100 | 98,5 | 95 | 128 | 32 | 116 | 267 | 5,4 | 6V62020C | 116,70 |
| 5" | 139,7 | 125 | 122,6 | 111 | 141 | 32 | 148 | 267 | 8,4 | 6V62020H | 157,20 |
| 6" | 168,3 | 150 | 148,0 | 133 | 153 | 32 | 148 | 267 | 11,4 | 6V62020E | 216,90 |
| 8" | 219,1 | 200 | 199,0 | 164 | 184 | 45 | 133 | 356 | 17,5 | 6V62020M | 426,90 |



CARATTERISTICHE TECNICHE

Norma s/ MSS SP-67.
 Scanalatura s/ ISO 6182.
 Flangia montaggio attuatore: ISO 5211.
 Pressione di lavoro: PN16 / 230 PSI / 1.6 MPa.
 Temperatura di lavoro: 0° a 80° C.
 Applicazioni: adduzione acqua, irrigazione, antincendio.

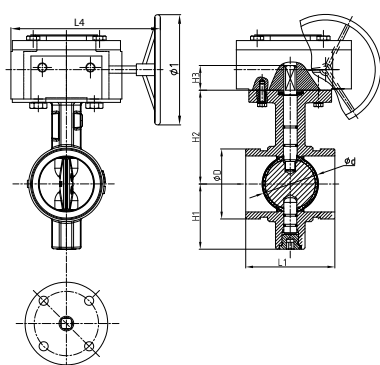
COMPONENTI

Corpo: ghisa duttile EN-GJS-450-10
Disco: ghisa duttile EN-GJS-450-10
Rivestimento disco: EPDM
Leva: ghisa duttile EN-GJS-450-10
O-Ring: NBR
Asse: acciaio inox UNS S42000 (SS420)

630 VALVOLA A FARFALLA SCANALATA (CON VOLANTINO)



| TUBO ACCIAIO | | | DIMENSIONI | | | | | | PESO Kg. | COD. | € |
|--------------|---------|-----|------------|---------|--------|--------|--------|--------|----------|----------|--------|
| Ø | Ø D mm. | DN | Ø d mm. | Ø 1 mm. | H1 mm. | H2 mm. | H3 mm. | L1 mm. | | | |
| 2" | 60,3 | 50 | 50,3 | 150 | 65 | 89 | 32 | 81 | 4,9 | 6V630208 | 143,40 |
| 2 1/2" | 76,1 | 65 | 60,8 | 150 | 71 | 102 | 32 | 97 | 5,6 | 6V63020B | 160,90 |
| 3" | 88,9 | 80 | 76,0 | 150 | 81 | 109 | 32 | 97 | 6,2 | 6V63020A | 168,40 |
| 4" | 114,3 | 100 | 98,5 | 150 | 95 | 128 | 32 | 116 | 7,5 | 6V63020C | 199,80 |
| 5" | 139,7 | 125 | 122,6 | 150 | 111 | 141 | 32 | 148 | 10,6 | 6V63020H | 241,40 |
| 6" | 168,3 | 150 | 148,0 | 150 | 133 | 153 | 32 | 148 | 13,7 | 6V63020E | 312,80 |
| 8" | 219,1 | 200 | 199,0 | 300 | 164 | 184 | 45 | 133 | 24,0 | 6V63020M | 632,60 |
| 10" | 273,0 | 250 | 252,0 | 300 | 196 | 216 | 45 | 159 | 34,0 | 6V63020N | 924,90 |



CARATTERISTICHE TECNICHE

Norma s/ MSS SP-67.
 Scanalatura s/ ISO 6182.
 Flangia montaggio attuatore: ISO 5211.
 Pressione di lavoro: PN16 / 230 PSI / 1.6 MPa.
 Temperatura di lavoro: 0° a 80° C.
 Applicazioni: adduzione acqua, irrigazione, antincendio.
 Approvata da UL.

COMPONENTI

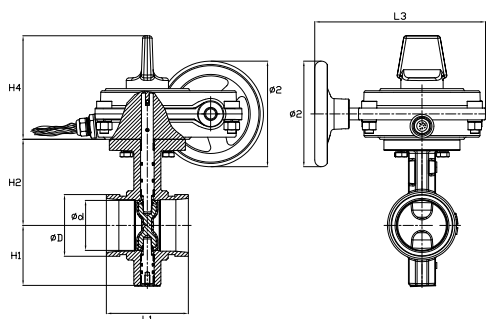
Corpo: ghisa duttile EN-GJS-450-10
Disco: ghisa duttile EN-GJS-450-10
Rivestimento disco: EPDM
Volantino: ghisa duttile EN-GJS-450-10
O-Ring: NBR
Asse: acciaio inox UNS S42000 (SS420)

SISTEMA
SCANALATO

635 VALVOLA A FARFALLA SCANALATA CON INDICATORE DI FINE CORSA



| TUBO ACCIAIO | | | DIMENSIONI | | | | | | | PESO Kg. | COD. | € |
|--------------|---------|-----|------------|---------|--------|--------|--------|--------|--------|----------|----------|----------|
| Ø | Ø D mm. | DN | Ø d mm. | Ø 2 mm. | H1 mm. | H2 mm. | H4 mm. | L1 mm. | L3 mm. | | | |
| 2" | 60,3 | 50 | 50,3 | 125 | 65 | 89 | 123 | 81 | 202 | 7,0 | 6V635208 | 245,10 |
| 2 1/2" | 76,1 | 65 | 60,8 | 125 | 71 | 102 | 123 | 97 | 202 | 7,7 | 6V63520B | 261,10 |
| 3" | 88,9 | 80 | 76,0 | 125 | 81 | 109 | 123 | 97 | 202 | 8,2 | 6V63520A | 271,80 |
| 4" | 114,3 | 100 | 98,5 | 125 | 95 | 128 | 123 | 116 | 202 | 9,7 | 6V63520C | 303,80 |
| 5" | 139,7 | 125 | 122,6 | 125 | 111 | 141 | 123 | 148 | 202 | 12,6 | 6V63520H | 351,80 |
| 6" | 168,3 | 150 | 148,0 | 225 | 133 | 153 | 123 | 148 | 202 | 15,6 | 6V63520E | 453,00 |
| 8" | 219,1 | 200 | 199,0 | 225 | 164 | 184 | 123 | 133 | 260 | 25,8 | 6V63520M | 772,80 |
| 10" | 273,0 | 250 | 252,0 | 225 | 196 | 216 | 123 | 159 | 260 | 36,4 | 6V63502N | 1.062,80 |



CARATTERISTICHE TECNICHE

Norma s/ MSS SP-67.
 Scanalatura s/ ISO 6182.
 Flangia montaggio attuatore: ISO 5211.
 Pressione di lavoro: PN16 / 230 PSI / 1.6 MPa.
 Temperatura di lavoro: 0° a 80° C.
 Applicazioni: adduzione acqua, irrigazione, antincendio.
 Approvata da UL.

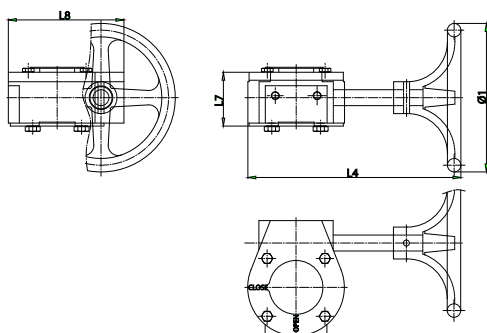
COMPONENTI

Corpo: ghisa duttile EN-GJS-450-10
Disco: ghisa duttile EN-GJS-450-10
Rivestimento disco: EPDM
Volantino: ghisa duttile EN-GJS-450-10
O-Ring: NBR
Asse: acciaio inox UNS S42000 (SS420)

VOL VOLANTINO



| TUBO ACCIAIO | | | DIMENSIONI | | | | PESO Kg. | COD. | € |
|------------------|--------------------|--------------|------------|--------|--------|--------|----------|----------|--------|
| Ø | Ø D mm. | DN | Ø 1 mm. | L4 mm. | L7 mm. | L8 mm. | | | |
| 2" - 2 1/2" - 3" | 60,3 - 76,1 - 88,9 | 50 - 65 - 80 | 150 | 210 | 54 | 114 | 3,0 | 6VVOL8BA | 77,80 |
| 4" | 114,3 | 100 | 150 | 210 | 54 | 114 | 3,0 | 6VVOL00C | 79,90 |
| 5" - 6" | 139,7 - 168,3 | 125 - 150 | 150 | 210 | 54 | 114 | 3,0 | 6VVOLHKE | 83,10 |
| 8" | 219,1 | 200 | 300 | 305 | 69 | 167 | 9,0 | 6VVOL00M | 162,00 |
| NEW 10" | 273,0 | 250 | 300 | 305 | 69 | 167 | 9,0 | 6VVOL00N | 166,80 |

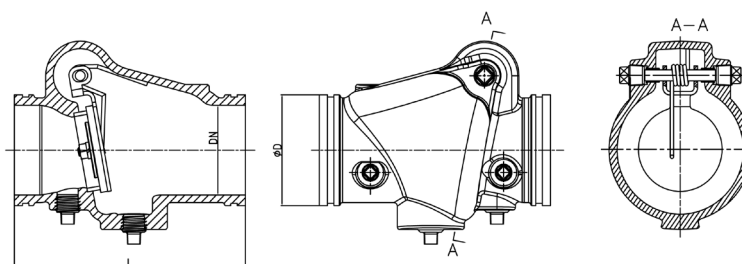

COMPONENTI

Corpo: ghisa duttile EN-GJS-450-10
 Volantino: ghisa duttile EN-GJS-450-10
 Asse: acciaio inox UNS S42000 (SS420)

640 VALVOLA DI RITEGNO A CLAPET



| TUBO ACCIAIO | | | DIMENSIONI | PESO Kg. | COD. | € |
|--------------|---------|-----|------------|----------|----------|--------|
| Ø | Ø D mm. | DN | L mm. | | | |
| 2" | 60,3 | 50 | 172 | 3,1 | 6V640208 | 81,00 |
| 2 1/2" | 76,1 | 65 | 184 | 3,5 | 6V64020B | 84,20 |
| 3" | 88,9 | 80 | 197 | 4,4 | 6V64020A | 134,80 |
| 4" | 114,3 | 100 | 210 | 7,0 | 6V64020C | 212,10 |
| 5" | 139,7 | 125 | 248 | 9,1 | 6V64020H | 373,60 |
| 6" | 168,3 | 150 | 325 | 16,2 | 6V64020E | 410,40 |
| 8" | 219,1 | 200 | 372 | 27,1 | 6V64020M | 658,80 |


CARATTERISTICHE TECNICHE

Scanalatura s/ ISO 6182.
 Pressione di lavoro: PN16 / 230 PSI / 1.6 MPa.
 Temperatura di lavoro: 0 - 80° C.
 Applicazioni: adduzione acqua, irrigazione, antincendio.
 Approvato da UL/FM.

COMPONENTI

Corpo: ghisa duttile EN-GJS-450-10
 Molla: acciaio inox UNS S30400 (SS304)
 Disco (DN50-DN100): acciaio inox UNS S30400 (SS304)
 Disco (DN150-DN300): ghisa duttile EN-GJS-450-10
 Anello sigillante: EPDM
 Sede: bronzo s/ASTM 862 UNS C83600