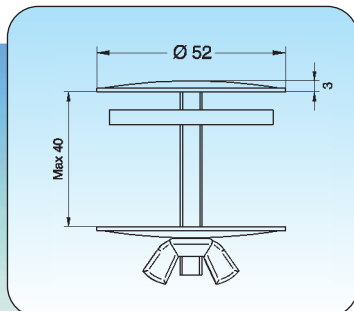


Plugs  
Stopfen  
Bouchons

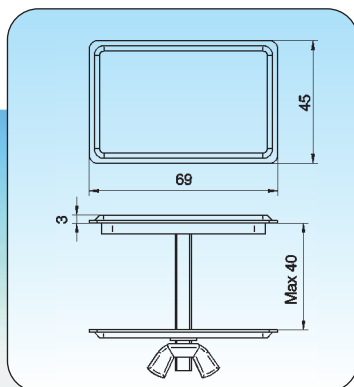
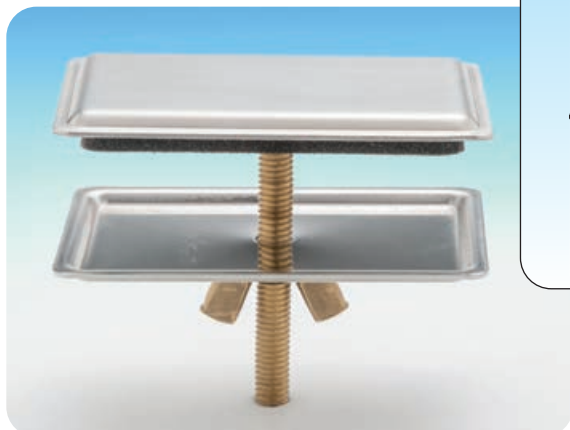


## Tappo copriforo rotondo in acciaio inox 18/8

Round stainless steel hole-plug 18/8  
Runder Abdeckstopfen aus Edelstahl 18/8  
Cache-trou rond inox 18/8

| ART.                                   | BOX          | €    |
|----------------------------------------|--------------|------|
|                                        |              |      |
| Satinato - Satin - Seidenmatt - Satiné | 9.0809.01 10 | 7,01 |
| Lucido - Polished - Poliert - Brillant | 9.0809.04 00 | 8,14 |

Color Set con supplemento di prezzo pag.152-153  
Color Set with additional price – see page 152-153  
Color Set mit Preiszuschlag - siehe Seite 152-153  
Color Set avec supplément - voir page 152-153



## Tappo copriforo rettangolare in acciaio inox 18/8

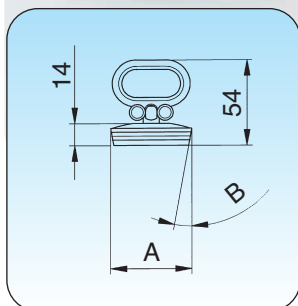
Rectangular stainless steel hole-plug 18/8  
Rechteckiger Abdeckstopfen aus Edelstahl 18/8  
Cache-trou rectangulaire inox 18/8

| ART.                                   | BOX       | €     |
|----------------------------------------|-----------|-------|
|                                        |           |       |
| Satinato - Satin - Seidenmatt - Satiné | A.1428.01 | 10,30 |
| Lucido - Polished - Poliert - Brillant | A.1428.02 | 10,30 |



## tappomaniglia<sup>®</sup>

Tappo maniglia.  
Ring-plug.  
Handstopfen.  
Bouchon anneau plastique.



| A      | B   |
|--------|-----|
| ø 45   | 8°  |
| ø 50,5 | 10° |
| ø 52   | 8°  |

| ART.                                                   | BOX          | €    |
|--------------------------------------------------------|--------------|------|
|                                                        |              |      |
| tappomaniglia <sup>®</sup> Ø45                         | 8.0645.02 10 | 1,84 |
| tappomaniglia <sup>®</sup> 2" - DIN Ø50.5-10° STANDARD | 8.0646.06 10 | 1,84 |
| tappomaniglia <sup>®</sup> Ø52-8° SPECIAL              | 8.0646.07 10 | 4,44 |